

# ProAero+ Air Extraction System

The ProAero™+ is a floor standing, high performance fume extractor designed for PolyJet™ large scale 3D printers. It is specifically aligned to the J7, J8 series and Connex range of Stratasys printers.



HEPA filter



Advanced carbon filter (ACF) technology



Multi voltage sensing (MVS) unit

## Key features of the ProAero+

VOC gas sensor (Volatile Organic Compound)

Standard

VOC signal

Standard

Extended life carbon for low cost of ownership

Standard

Auto sensing voltage (90-257v) for global use

Standard

Low noise level

Standard

Specially treated carbon for safe containment of print fumes

Standard

Compact size enables extraction unit to be positioned within the printer footprint

Standard

Small footprint

Standard

Powder coated for durability

Standard

Castors for portability

Standard

Filter change indicator

Standard

Digital speed control

Standard

Filter change signal

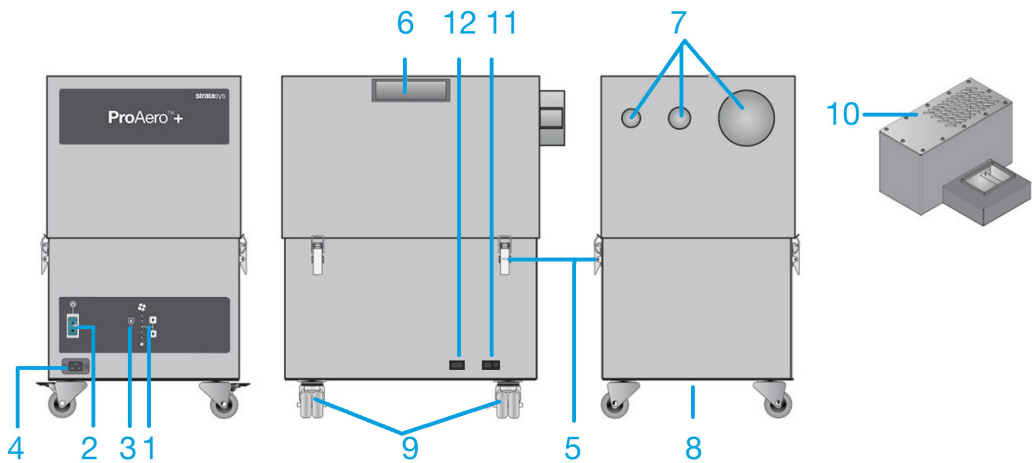
Standard

Quiet mode silencer box for office environments

Standard

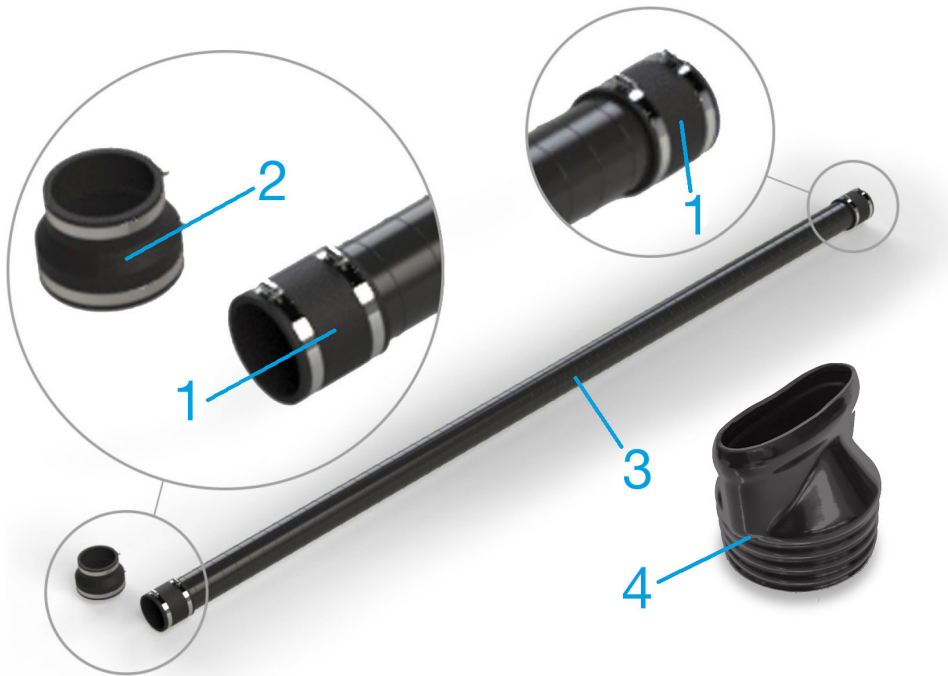
**Technical specification**

- |                             |                          |   |                              |
|-----------------------------|--------------------------|---|------------------------------|
| 1. Digital speed control    | 4. IEC power cable inlet | 7. Hose inlet connections - 32mm / 38mm / 100mm | 10. Silencer box with grille |
| 2. On / off switch          | 5. Lid fastening latches | 8. Exhaust outlet                               | 11. Override switch          |
| 3. Filter condition display | 6. Handles               | 9. Castors                                      | 12. Signal interface         |

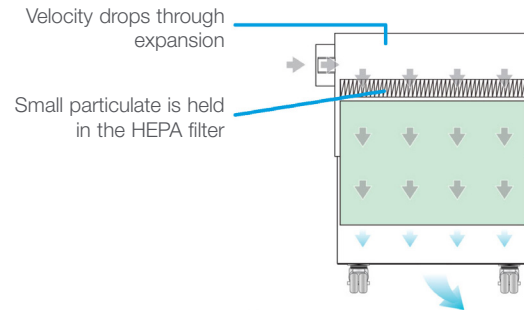
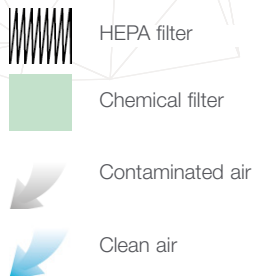


**Hose kit specification**

- |                                   |                                   |                      |                  |
|-----------------------------------|-----------------------------------|----------------------|------------------|
| 1. 2 x Ø 100mm : Ø 100mm coupling | 2. 1 x Ø 150mm : Ø 100mm coupling | 3. 3m x Ø 100mm hose | 4. Oval coupling |
|-----------------------------------|-----------------------------------|----------------------|------------------|



### Airflow through filters



Product Specifications	EU	US
Dimensions (HxWxD) without silencer box	625 x 385 x 525 mm	24.60 x 15.16 x 20.67 in
Cabinet construction	Powder coated mild steel	Powder coated mild steel
Airflow / pressure	380m <sup>3</sup> /hr / 96mbar	223cfm / 96mbar
Electrical data	90 - 257v Single-phase 1~ 50/60Hz Full load current: 12.5 amps/ 1.1kw	90 - 257v Single-phase 1~ 50/60Hz Full load current: 12.5 amps/ 1.1kw
Noise level	< 65dBA (at typical operating speed)	< 65dBA (at typical operating speed)
Weight	51kgs	113lbs
Approvals	UKCA and CE	cUL, UL*

### HEPA / gas filter specifications

Treated activated carbon	20kgs (44 lbs)
Filter media	Borosilicate
Filter housing	Zintec mild steel
Surface media area	3.5m <sup>2</sup> approx (37.66 ft <sup>2</sup> )

\* Tested to UL and cUL standards, but testing may be provided by alternate nationally recognised test laboratories. Certain product configurations may affect the UL certification. Please speak to your sales representative.

### Stratasys Headquarters

7665 Commerce Way,  
Eden Prairie, MN 55344  
+1 800 801 6491 (US Toll Free)  
+1 952 937-3000 (Intl)  
+1 952 937-0070 (Fax)

1 Holtzman St., Science Park,  
PO Box 2496  
Rehovot 76124, Israel  
+972 74 745 4000  
+972 74 745 5000 (Fax)

[stratasys.com](http://stratasys.com)

ISO 9001:2015 Certified

© 2021 Stratasys Ltd. All rights reserved. Stratasys, Stratasys signet, J55, and ProAero are trademarks or registered trademarks of Stratasys Ltd. and/or its subsidiaries or affiliates and may be registered in certain jurisdictions. All other trademarks belong to their respective owners. Product specifications subject to change without notice. PSS\_PJ\_ProAero\_Plus\_1121a

